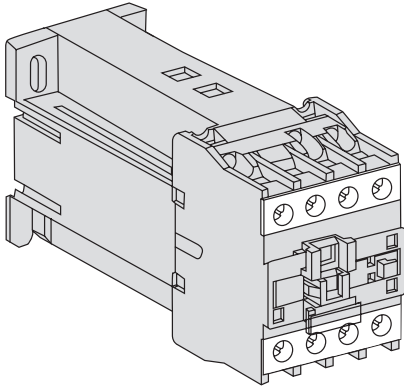


TOC2D DC Operated AC contactor



Application range

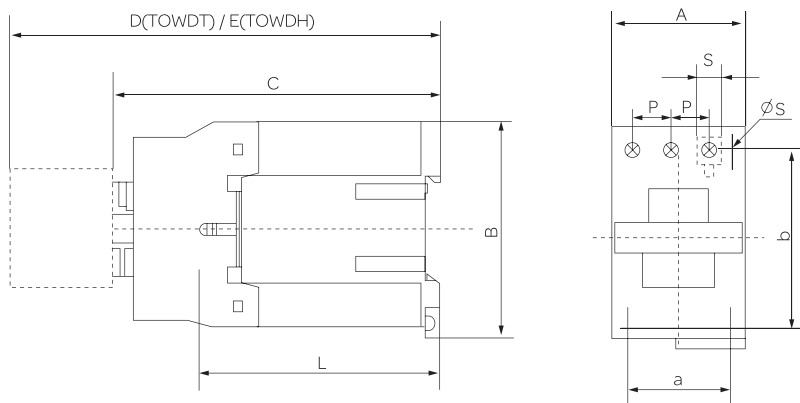
TOC2D series DC operated AC contactor (hereinafter to be referred as contactor), it mainly applies to the circuit of AC 50Hz/60Hz, and rated insulation voltage 690V. When used in AC-3, and rated operational voltage 380V, rated current up to 95A, for long distance breaking circuit block, time-delay block, thermal overload relay devices etc.

This product conforms to GB14048.4 IEC60947-4-1. standard.

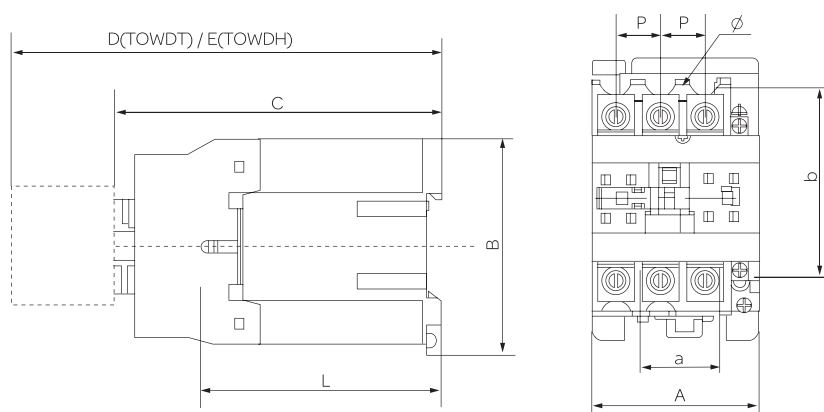
Main Parameter And Technical Characteristic

			TOC2D -D09	TOC2D -D12	TOC2D -D18	TOC2D -D25	TOC2D -D32	TOC2D -D40	TOC2D -D50	TOC2D -D65	TOC2D -D80	TOC2D -D95	
Rated operational current (A)	380V	AC-3	9	12	18	25	32	40	50	65	80	95	
		AC-4	3.5	5	7.7	8.5	12	18.5	24	28	37	44	
	660V	AC-3	7	9	12	18	21	34	39	42	49	49	
		AC-4	1.5	2	3.8	4.4	7.5	9	12	14	17.3	21.3	
Conventional heating current (A)			20	20	32	40	50	60	80	80	110	110	
Rated insulation voltage (V)			690	690	690	690	690	690	690	690	690	690	
Power of controllable 3-phase squirrel-cage motor (kW) AC-3	220V		2.2	3	4	5.5	7.5	11	15	18.5	22	25	
	380V		4	5.5	7.5	11	15	18.5	22	30	37	45	
	660V		5.5	7.5	10	15	18.5	30	33	37	45	55	
Operational frequency (operation/h)	Electric life (×10 ⁴)	AC-3	1200	1200	1200	1200	600	600	600	600	600	600	
		AC-4	300	300	300	150	150	150	150	150	150	150	
	Mechanical life(×10 ⁴)			3600	3600	3600	3600	3600	3600	3600	3600	2400	2400
Electric life (operation/h)	AC-3		100	100	100	100	80	80	60	60	60	60	
	AC-4		20	20	20	20	20	15	15	15	10	10	
Mechanical life (operation/h)			1000	1000	1000	1000	800	800	800	800	600	600	
Cable connection	Flexible cable without terminal	One cable	1/4	1/4	1.5/6	1.5/10	2.5/10	2.5/25	2.5/25	2.5/25	4/50	4/50	
		Two cables	1/4	1/4	1.5/6	1.5/6	2.5/10	2.5/16	2.5/16	2.5/16	4/25	4/25	
	Flexible cable with terminal	One cable	1/4	1/4	1/6	1/6	1/10	2.5/25	2.5/25	2.5/25	4/50	4/50	
		Two cables	1/2.5	1/2.5	1/4	1/4	1.5/6	2.5/10	2.5/10	2.5/10	4/16	4/16	
	Inflexible cable without terminal	One cable	1/4	1.5/6	1.5/6	1.5/6	1.5/10	2.5/25	2.5/25	2.5/25	4/50	4/50	
		Two cables	1/4	1.5/6	1.5/6	1.5/6	2.5/10	2.5/16	2.5/16	2.5/16	4/25	4/25	
	Screw size			M3.5	M3.5	M3.5	M4	M4	M8	M8	M8	M10	M10
	Tightening torque (N·m)			0.8	0.8	0.8	1.2	1.2	3.5	3.5	3.5	4	4
DC coil power (W)			9	9	11	11	11	20	20	20	20	20	
Operating range			Pick-up voltage : 85%~110% Us ; Drop-out voltage : 10%~70% Us										
Basic parameter of auxiliary contact			AC-15: 360VA DC-13: 33W lth: 10A										
Unit weight (kg)	3P+NO/NC		0.58	0.58	0.6	0.83	0.85	2.2	2.2	2.2	2.4	2.4	
	4P (4N/O)		0.58	0.58	-	0.83	-	2.3	2.3	2.3	2.57	2.57	
	4P (2N/O+2N/C)		0.58	0.58	-	0.83	-	2.35	2.35	2.35	2.63	2.63	

Outline and Mounting Dimension



TOC2D-09-12



TOC2D-40-95

TOC2D-09-12	Amax	Bmax	Cmax	Dmax	Emax	a	b	Ø	L	P	S
TOC2D-18	47	76	82(116)	120.5(154.5)	140.5(174.5)	34/35	50/60	4.5	60(95)	105	8.6
TOC2D-25	47	76	87(122)	125.5(160.5)	145.5(180.5)	34/35	50/60	4.5	61(96)	11.3	10.4
TOC2D-32	57	86	95(131)	133.5(169.5)	153.5(189.5)	40	48	4.5	70(107)	13.2	11.7
TOC2D-4011-6511	57	86	100(138)	138.5(176.5)	158.5(196.5)	40	48	4.5	71.6(120)	14.5	13
TOC2D-4004/4008-6504/6508	77	129	116(173)	154.5(211.5)	174.5(231.5)	40	100/110	6.5	78(135)	20	8.6
TOC2D-8011-9511	84	129	116(173)	154.5(211.5)	174.5(231.5)	40	100/110	6.5	78(135)	20	8.6